

D-3001



4CH UHF Wireless



Camera Tracking



Voting Function



Touch Screen Operation



Introduction

D-3001 wireless conference system provides flexible solution for multi-purpose meeting application. It is a quick & easy to setup the whole system with its friendly touch screen operation on the main controller. The simply elegant microphone unit produces high quality timbre.

Main Features

- Up to 1 chairman unit & 126 delegate units can work with one main controller
- 4 UHF audio channels support discussion for 1 chairman & 3 delegates
- 10 sets of system can work at a same venue meantime without interference
- Display & control: 4.3-inch capacitive touch screen, 480x272 pixels
- Supports PELCO P/D, YAAN, SONY EVI-D70, BRC-Z330 camera agreement. Other agreements can be customized upon request
- With voting function
- Compatible with central controller via RS-232
- USB audio recording
- One-Press-Off, enable to switch off all activated unit from the controller
- Effective working distance: 60m

Features of Microphone Unit

- Professional and elegant zinc alloy panel
- Hyper-cardioid directional gooseneck microphone
- 1.77inch TFT color screen, 128x160 pixels
- Red ring status indicator
- Replaceable lithium battery
- 8 hours battery life
- Detachable design



D-3001M

Specification	
Carrier Frequency:	UHF780-850MHz
Modulation:	FM
Operation Distance:	60m
Oscillation:	PLL
Sensitivity:	SNR>60dB @ 25KHz, 6dBv
Band Width:	30MHz
Max Deviation Range:	±45KHz
SNR:	>105dB
T.H.D:	<0.7%@1KHz
Frequency Response:	45Hz-18KHz±1dB
Power Supply:	AC110V~240V
Output:	XLR*1, RCA*1
Weight:	5.1kg
Dimension:	483x323x90mm



D-3001C/3001D

Specification	
Carrier Frequency:	UHF770-820MHz
Oscillation:	PLL
Harmonic Radiation :	<-65dBm
Band Width:	30MHz
Max Deviation Range:	±45KHz
SNR:	>105dB
T.H.D:	<0.7%@1KHz
Frequency Response:	45Hz-18KHz±1dB
Power Supply:	AC110V~240V
Output:	XLR*1, RCA*1
Weight:	1kg
Dimension:	150x120x44mm



D-3300

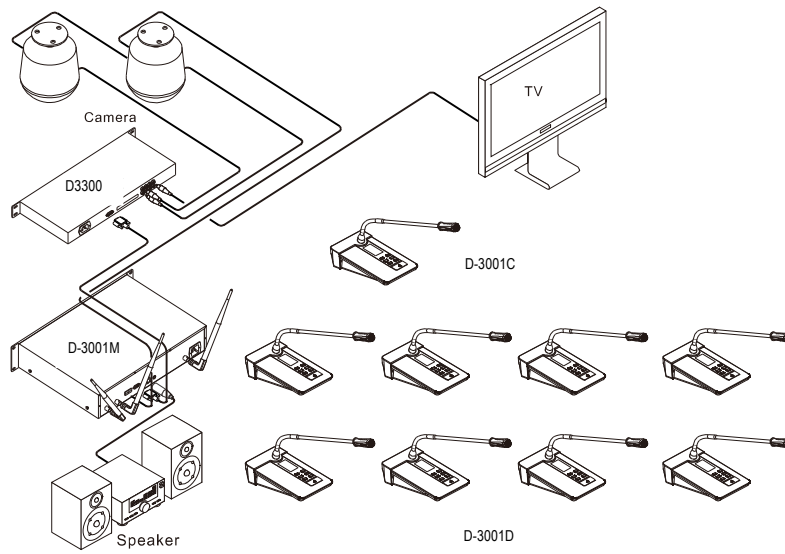
Specification	
Power Supply:	AC110V-240V
Power:	260W
No. of Charging Port:	40
Max Current:	700mA
Charging Time:	4 hours
Color:	Black

D-3001M Rear Panel



- [1] Power Socket
- [2] Control Antenna Port
- [3] RS-232 Port for Central Controller
- [4] USB for PC
- [5] RS-485 Port for Camera
- [6] Video Switch
- [7] RS-232 Port for Camera
- [8] [11] UHF Antenna Port
- [9] XLR Output
- [10] 6.35mm Mixed Output

D-3001 System Connection



D-3002



3CH UHF Wireless



Camera Tracking



Introduction

D-3002 wireless conference system is a simplified version of D-3001, provides flexible solution for multi-purpose meeting application. It is a quick & easy job to setup the system, its simply elegant microphone unit produces high quality timbre.

Main Features

- Up to 2 chairman units & 250 delegate units can work with one main controller.
- 3 UHF audio channels support discussion for 1 chairman & 2 delegates or 2 chairmen & 1 delegate.
- 20 sets of system can work at a same venue meantime without interference
- Supports PELCO P/D, YAAN, SONY EVI-D70, BRC-Z330 camera agreement. Other agreement can be customized upon request
- Compatible with central controller via RS-232
- One-Press-Off, enable to switch off all activated unit from the controller
- Effective working distance: 60m

Features of Microphone Unit

- Professional and elegant zinc alloy Panel
- Hyper-cardioid directional gooseneck microphone
- OLED display
- Red ring status indicator
- Replaceable lithium battery
- 8 hours battery life
- Detachable design



D-3002M

Specification	
Carrier Frequency:	UHF780-850MHz
Modulation:	FM
Operation Distance:	60m
Oscillation:	PLL
Sensitivity:	SNR>60dB @ 25KHz, 6dBv
Band Width:	30MHz
Max Deviation Range:	±45KHz
SNR:	>105dB
T.H.D:	<0.7%@1KHz
Frequency Response:	45Hz-18KHz±1dB
Power Supply:	AC110V~240V
Output:	XLR*1, RCA*1
Weight:	5.1kg
Dimension:	483x323x90mm



D-3002C/3002D

Specification	
Carrier Frequency:	UHF770-820MHz
Oscillation:	PLL
Harmonic Radiation :	<-65dBm
Band Width:	30MHz
Max Deviation Range:	±45KHz
SNR:	>105dB
T.H.D:	<0.7%@1KHz
Frequency Response:	45Hz-18KHz±1dB
Power Supply:	AC110V~240V
Output:	XLR*1, RCA*1
Weight:	1kg
Dimension:	150x120x44mm



D-3300

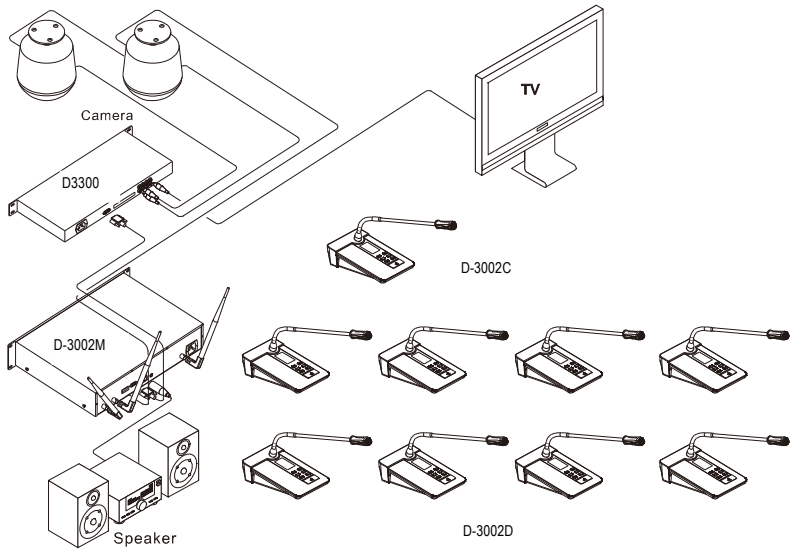
Specification	
Power Supply:	AC110V-240V
Power:	260W
No. of Charging Port:	40
Max Current:	700mA
Charging Time:	4 hours
Color:	Black

D-3002M Rear Panel



- [1] Power Socket
- [2] Control Antenna Port
- [3] 4 In 2 Out Standard Definition Video Switch Port
- [4] RS-485 Port for Camera
- [5] RS-232 for PC
- [6] [7] [11] UHF Antenna Port
- [8] XLR Output
- [9] 6.35mm Mixed Output
- [10] USB for System Upgrade

D-3002 System Connection



*Wireless Conference System Comparison Chart

Item \ Model	D-3001M	D-3002M
Interpretation		
Wired Voting		
Wireless Voting	●	
Sign-in	●	
Camera Tracking	●	●
Discussion	●	●
Chairman QTY	1	1
Max Unit QTY	126	248
Speaking QTY	4	3
Display	Touch Screen	LCD
Languages	●English ○Chinese ○Other	●English ○Chinese ○Other
Network Control		
USB Recording	●	●
Connection	UHF	UHF
Video Switch(4in/1out)		●
XLR Output	●	●
RCA 6.3 Output	●	●
Aux. Input/Output		
Aviation Plug		
Color	Black	Black
19" Rack Installation	●	●

Microphone Unit	D-3001C/D	D-3002C/D
Chairman Priority	●	●
FIFO	●	●
LIFO	●	
Voice Control		
Time Off	●	
Detachable Capsule	●	●
Detachable Base	●	●
Loudspeaker		
Display	●	●
Languages	●Chinese ○English ○Other	●Chinese ○English ○Other
L. of Mic Tube	●420mm ○350mm	●420mm ○350mm
Red Ring Indicator	●	●
Installation	Desktop	Desktop
Material	Metal	Metal
Color	●Black	●Black

External Device		
Central Controller	●	
Video Switch	●	●
Anti-howling	●	●
Telephone Coupler	●	●