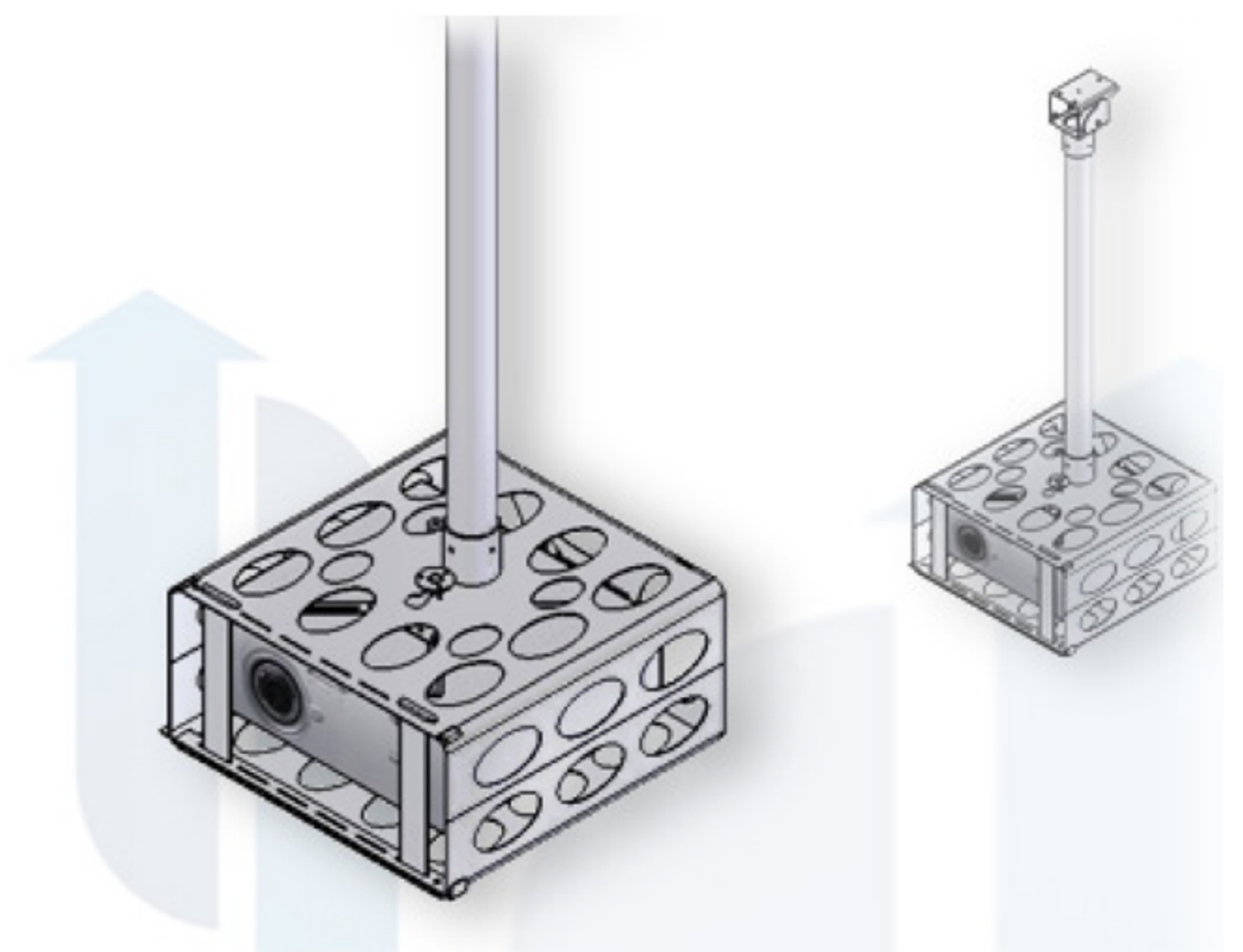


PROJECTOR CAGE

➤ Anti - Theft Housing



- Secure projector from theft
- Easy installation
- Design to house most LCD/DLP Projector
- Size available in : (A) 425 mm (L) x 185 mm (H) x 350mm (W)
(B) 460 mm (L) x 260 mm (H) x 400mm (W)
- Optional : Projector mounting bracket, extension pole

Distributed by:

