

VOSCH UNIVERSAL PROJECTOR BRACKET

VS-VT618



Specification:

Material:

High Quality Cold Steeling rolling plate, solid and reliable aviation aluminium material

Surface Finish:

Processed with acid washing and phosphating, static Powder Coating

Weight Capacity:

13kg

Mounting Range:

Max 351mm

Tilt Range:

+20°~-20°

Swivel Range:

+20°~-20°

Rotation:

360°

Adjustable Length:

530-1500mm

Cable Management:

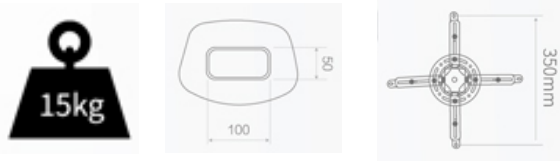
Yes



PRODUCT FEATURES

- Solid steel brackets for most projectors up to 13kgs
- Adjustable height/length for different choices
- Adjustable Ceiling Plate: for mounting in flat or sloping ceiling
- 360° Rotating Joint: for optimal viewing angles
- Swivelling Joint: offers maximum viewing flexibility
- Internal cable management for a clutter-free appearance

VOSCH SHORT THROW PROJECTOR BRACKET VS-ST1200



Specification:

Material:

High Quality Cold Steeling rolling plate, solid and reliable aviation aluminium material

Surface Finish:

Processed with acid washing and phosphating, static Powder Coating

Weight Capacity:

15kg

Mounting Range:

Max 350mm

Rotation:

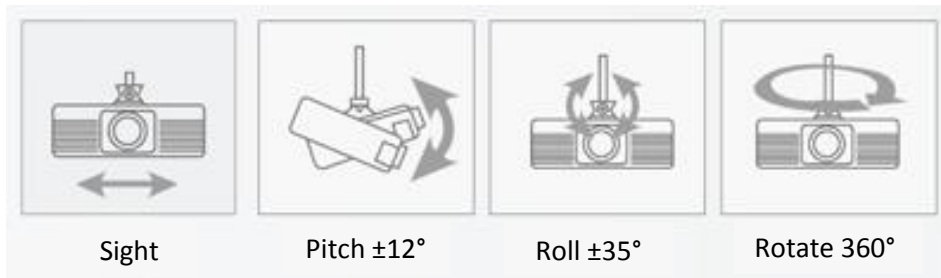
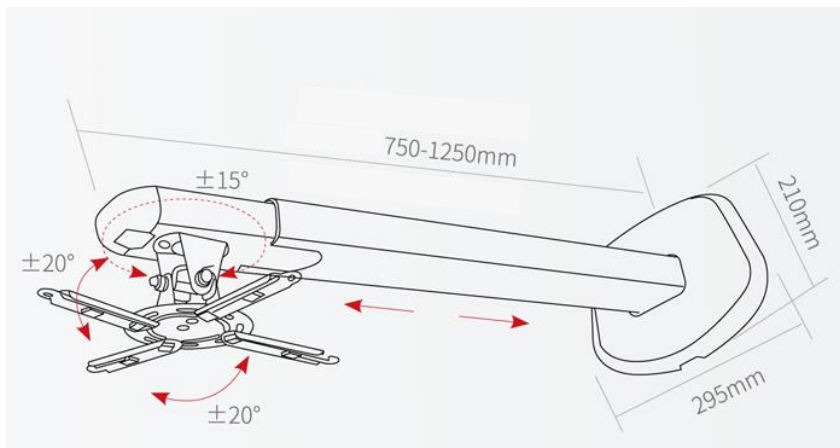
360°

Adjustable Length:

750-1250mm

Cable Management:

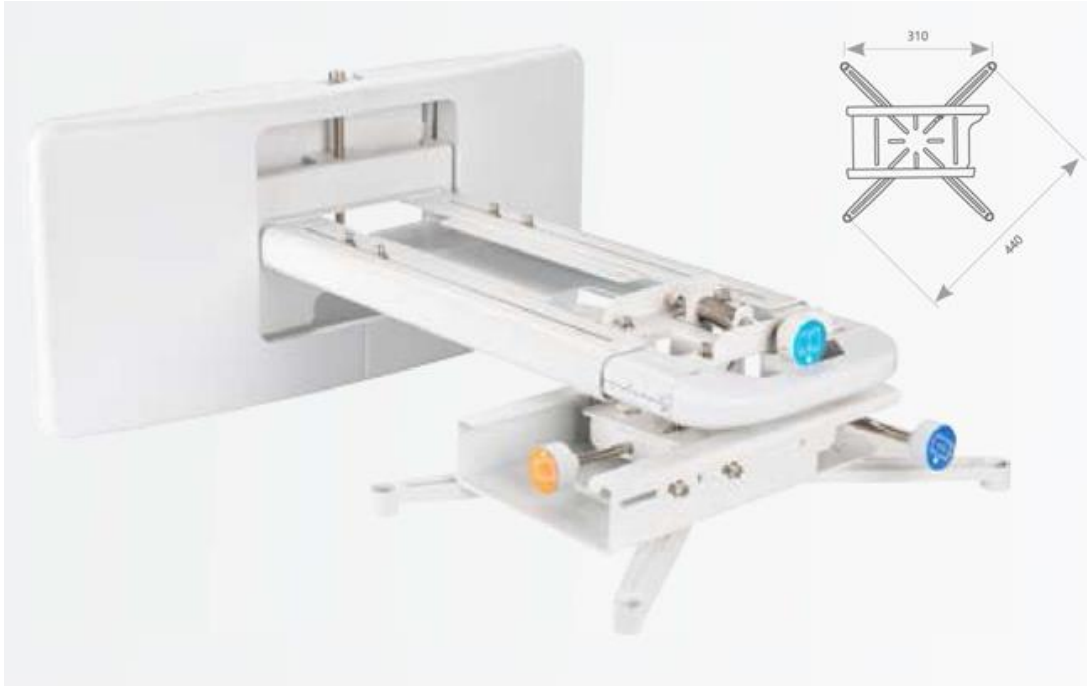
Yes



PRODUCT FEATURES

- Solid steel brackets for most projectors up to 15kgs
- Adjustable height/length for different choices
- Adjustable Ceiling Plate: for mounting in flat or sloping ceiling
- 360° Rotating Joint: for optimal viewing angles
- Internal cable management for a clutter-free appearance

VOSCH ULTRA SHORT THROW PROJECTOR BRACKET VS-UST30



Suitable Ultra Short Throw Projector



EPSON
EXCEED YOUR VISION



CASIO



BenQ
PROJECTOR

Specification:

Material:

High Quality Cold Steeling rolling plate, solid and reliable aviation aluminium material

Surface Finish:

Processed with acid washing and phosphating, static Powder Coating

Weight Capacity:

15kg

Mounting Range:

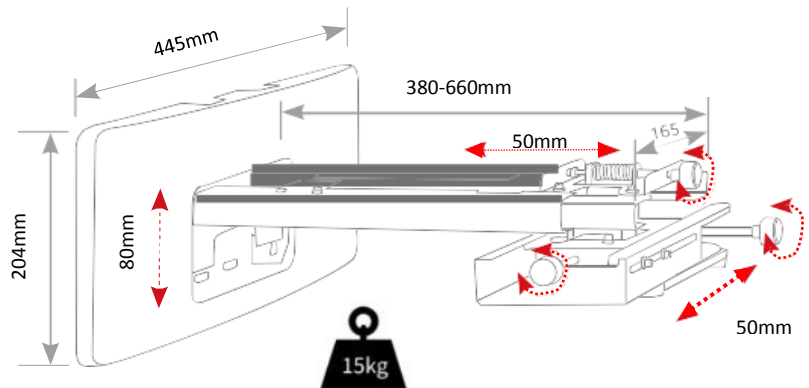
Max 440mm

Adjustable Length:

380-660mm

Cable Management:

Yes



PRODUCT FEATURES

- Solid steel brackets for most projectors up to 15kgs
- Adjustable height/length for different choices
- Adjustable Ceiling Plate: for mounting in flat or sloping ceiling
- Internal cable management for a clutter-free appearance